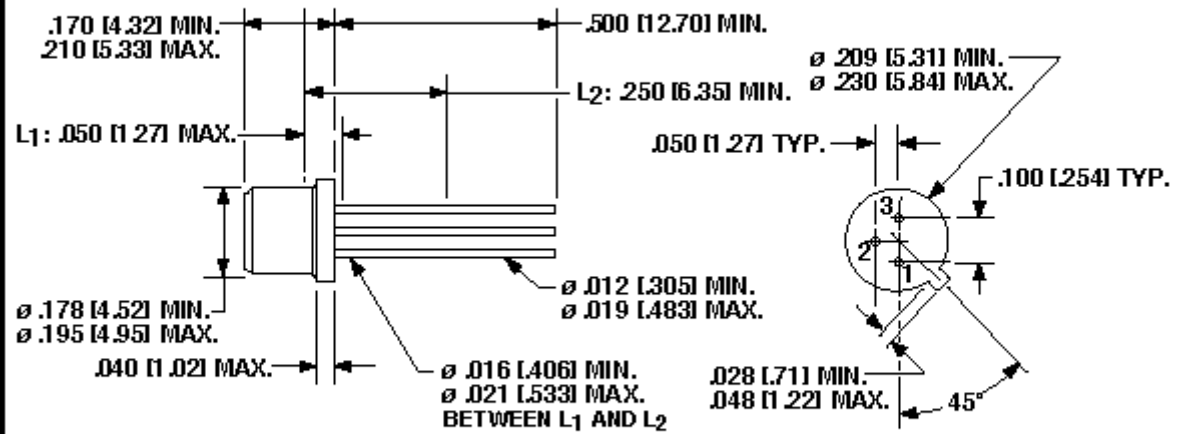


TO-72



NOTE: DIMENSIONS IN INCHES [MM]

THIS DRAWING IS FOR REFERENCE ONLY. PLEASE REFER TO THE MICROSEMI PUBLISHED DATA SHEET.