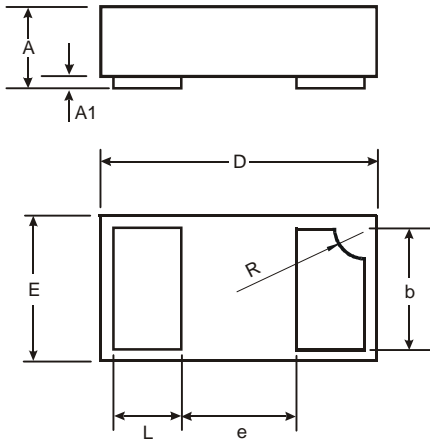


Surface Mount Packages

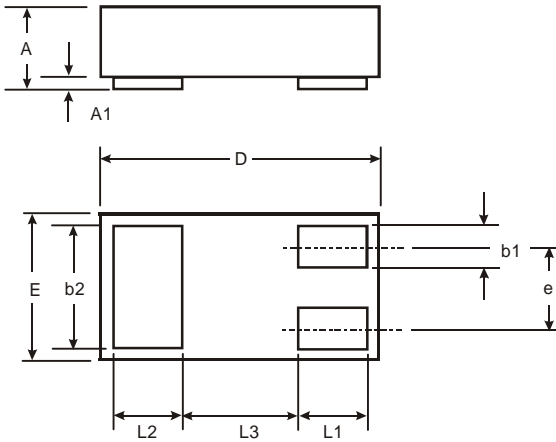
DFN1006-2 / DFN1006H4-2



| DFN1006-2 | | | |
|----------------------|------|-------|------|
| Dim | Min | Max | Typ |
| A | 0.47 | 0.53 | 0.50 |
| A1 | 0 | 0.05 | 0.03 |
| b | 0.45 | 0.55 | 0.50 |
| D | 0.95 | 1.075 | 1.00 |
| E | 0.55 | 0.675 | 0.60 |
| e | - | - | 0.40 |
| L | 0.20 | 0.30 | 0.25 |
| R | 0.05 | 0.15 | 0.10 |
| All Dimensions in mm | | | |

| DFN1006H4-2 | | | |
|----------------------|------|-------|------|
| Dim | Min | Max | Typ |
| A | 0.34 | 0.4 | 0.37 |
| A1 | 0 | 0.05 | 0.03 |
| b | 0.45 | 0.55 | 0.50 |
| D | 0.95 | 1.075 | 1.00 |
| E | 0.55 | 0.675 | 0.60 |
| E | — | — | 0.40 |
| L | 0.20 | 0.30 | 0.25 |
| R | 0.05 | 0.15 | 0.10 |
| All Dimensions in mm | | | |

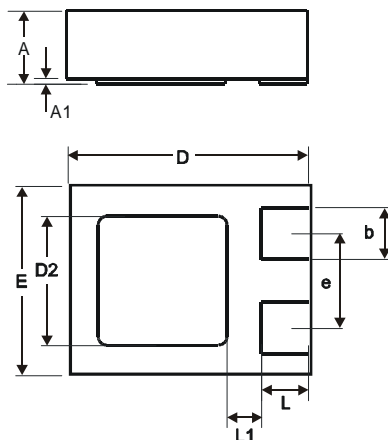
DFN1006-3 / DFN1006H4-3



| DFN1006-3 | | | |
|----------------------|------|-------|------|
| Dim | Min | Max | Typ |
| A | 0.47 | 0.53 | 0.50 |
| A1 | 0 | 0.05 | 0.03 |
| b1 | 0.10 | 0.20 | 0.15 |
| b2 | 0.45 | 0.55 | 0.50 |
| D | 0.95 | 1.075 | 1.00 |
| E | 0.55 | 0.675 | 0.60 |
| e | — | — | 0.35 |
| L1 | 0.20 | 0.30 | 0.25 |
| L2 | 0.20 | 0.30 | 0.25 |
| L3 | — | — | 0.40 |
| All Dimensions in mm | | | |

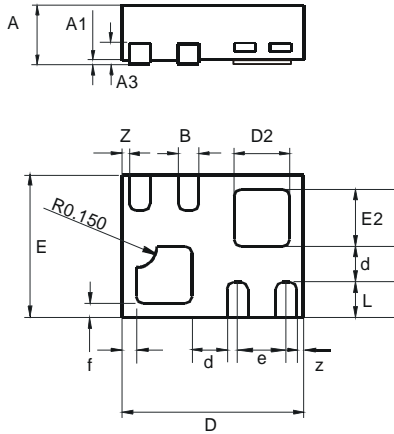
| DFN1006H4-3 | | | |
|----------------------|------|-------|------|
| Dim | Min | Max | Typ |
| A | — | 0.40 | — |
| A1 | 0 | 0.05 | 0.02 |
| b1 | 0.10 | 0.20 | 0.15 |
| b2 | 0.45 | 0.55 | 0.50 |
| D | 0.95 | 1.075 | 1.00 |
| E | 0.55 | 0.675 | 0.60 |
| e | — | — | 0.35 |
| L1 | 0.20 | 0.30 | 0.25 |
| L2 | 0.20 | 0.30 | 0.25 |
| L3 | — | — | 0.40 |
| All Dimensions in mm | | | |

DFN1411-3



| DFN1411-3 | | | |
|----------------------|-------|-------|-------|
| Dim | Min | Max | Typ |
| A | 0.47 | 0.53 | 0.50 |
| A1 | 0 | 0.05 | 0.02 |
| b | 0.25 | 0.35 | 0.30 |
| D | 1.35 | 1.475 | 1.40 |
| D2 | 0.65 | 0.85 | 0.75 |
| E | 1.05 | 1.18 | 1.10 |
| e | — | — | 0.55 |
| L | 0.225 | 0.325 | 0.275 |
| L1 | — | — | 0.20 |
| All Dimensions in mm | | | |

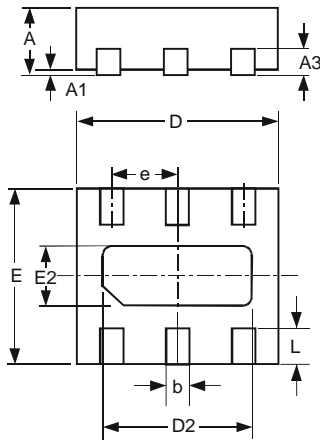
DFN1612-6 / DFN1310H4-6



| DFN1612-6 | | | |
|----------------------|------|-------|------|
| Dim | Min | Max | Typ |
| A | 0.47 | 0.53 | 0.50 |
| A1 | 0 | 0.05 | 0.02 |
| A3 | — | — | 0.13 |
| b | 0.15 | 0.25 | 0.20 |
| D | 1.55 | 1.675 | 1.60 |
| d | — | — | 0.25 |
| D2 | 0.40 | 0.60 | 0.50 |
| E | 1.15 | 1.28 | 1.20 |
| e | — | — | 0.40 |
| E2 | 0.45 | 0.65 | 0.55 |
| f | — | — | 0.15 |
| L | 0.20 | 0.30 | 0.25 |
| Z | — | — | 0.10 |
| All Dimensions in mm | | | |

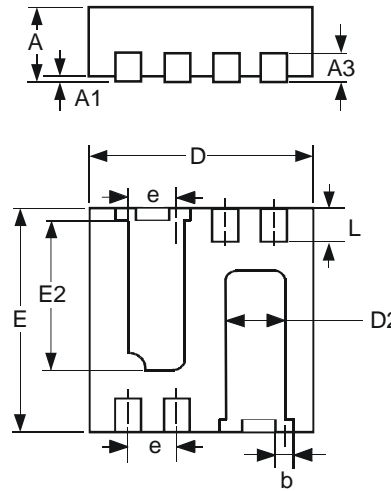
| DFN1310H4-6 | | | |
|----------------------|------|-------|------|
| Dim | Min | Max | Typ |
| A | — | 0.40 | — |
| A1 | 0 | 0.05 | 0.02 |
| A3 | — | — | 0.13 |
| b | 0.10 | 0.20 | 0.15 |
| D | 1.25 | 1.38 | 1.30 |
| d | — | — | 0.25 |
| D2 | 0.30 | 0.50 | 0.40 |
| E | 0.95 | 1.075 | 1.00 |
| e | — | — | 0.35 |
| E2 | 0.30 | 0.50 | 0.40 |
| f | — | — | 0.10 |
| L | 0.20 | 0.30 | 0.25 |
| Z | — | — | 0.05 |
| All Dimensions in mm | | | |

DFN1616-6



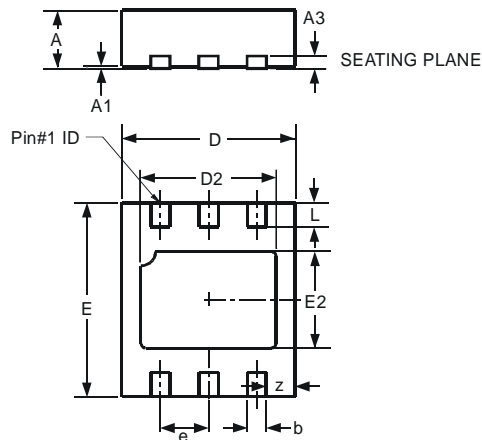
| DFN1616-6 | | | |
|----------------------|-------|-------|-------|
| Dim | Min | Max | Typ |
| A | 0.545 | 0.605 | 0.575 |
| A1 | 0 | 0.05 | 0.02 |
| A3 | — | — | 0.13 |
| b | 0.20 | 0.30 | 0.25 |
| D | 1.55 | 1.675 | 1.60 |
| D2 | 1.10 | 1.30 | 1.20 |
| E | 1.55 | 1.675 | 1.60 |
| e | — | — | 0.50 |
| E2 | 0.30 | 0.50 | 0.40 |
| L | 0.275 | 0.375 | 0.325 |
| All Dimensions in mm | | | |

DFN1616-8



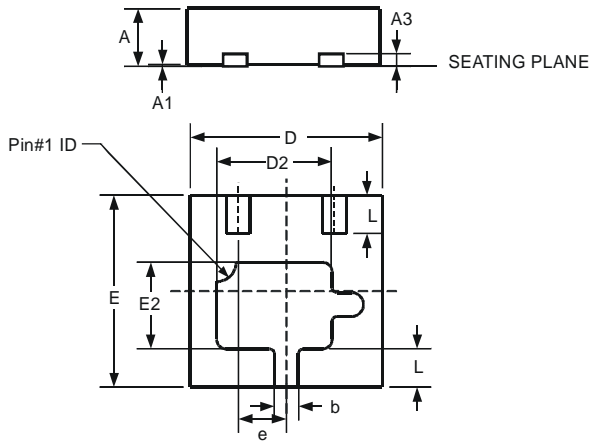
| DFN1616-8 | | | |
|----------------------|-------|-------|-------|
| Dim | Min | Max | Typ |
| D | 1.55 | 1.675 | 1.60 |
| E | 1.55 | 1.675 | 1.60 |
| D2 | 0.35 | 0.55 | 0.45 |
| E2 | 0.90 | 1.10 | 1.00 |
| A | 0.545 | 0.605 | 0.575 |
| A1 | 0 | 0.05 | 0.02 |
| A3 | — | — | 0.13 |
| b | 0.15 | 0.25 | 0.20 |
| L | 0.25 | 0.35 | 0.30 |
| e | — | — | 0.40 |
| All Dimensions in mm | | | |

DFN2018-6



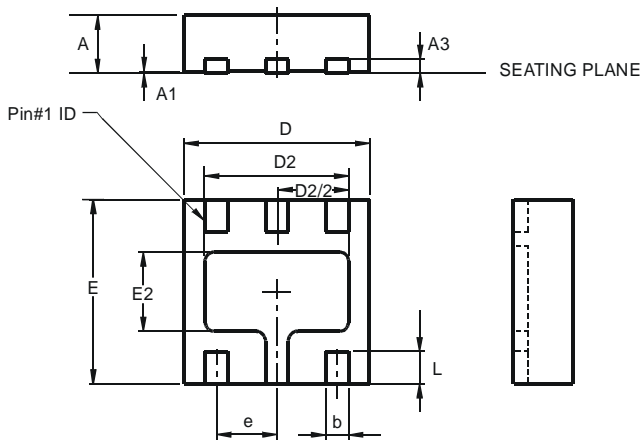
| DFN2018-6 | | | |
|----------------------|-------|-------|-------|
| Dim | Min | Max | Typ |
| A | 0.545 | 0.605 | 0.575 |
| A1 | 0 | 0.05 | 0.02 |
| A3 | — | — | 0.13 |
| b | 0.15 | 0.25 | 0.20 |
| D | 1.750 | 1.875 | 1.80 |
| D2 | 1.30 | 1.50 | 1.40 |
| e | — | — | 0.50 |
| E | 1.95 | 2.075 | 2.00 |
| E2 | 0.90 | 1.10 | 1.00 |
| L | 0.20 | 0.30 | 0.25 |
| z | — | — | 0.30 |
| All Dimensions in mm | | | |

DFN2020-3



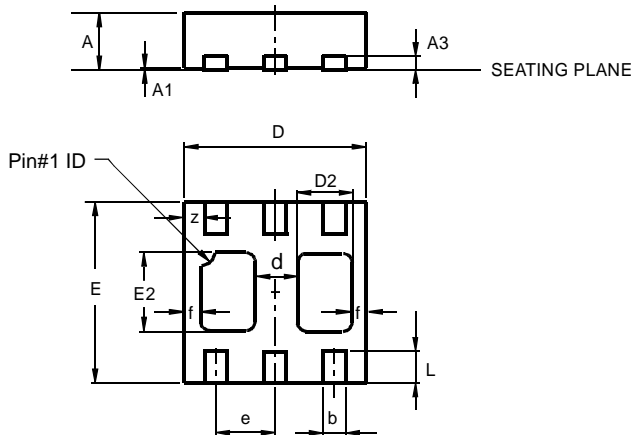
| DFN2020-3 | | | |
|----------------------|------|-------|-------|
| Dim | Min | Max | Typ |
| A | 0.57 | 0.63 | 0.60 |
| A1 | 0 | 0.05 | 0.02 |
| A3 | — | — | 0.152 |
| b | 0.20 | 0.30 | 0.25 |
| D | 1.95 | 2.075 | 2.00 |
| D2 | 1.10 | 1.30 | 1.20 |
| e | — | — | 0.50 |
| E | 1.95 | 2.075 | 2.00 |
| E2 | 0.80 | 1.00 | 0.90 |
| L | 0.35 | 0.45 | 0.40 |
| All Dimensions in mm | | | |

DFN2020-6



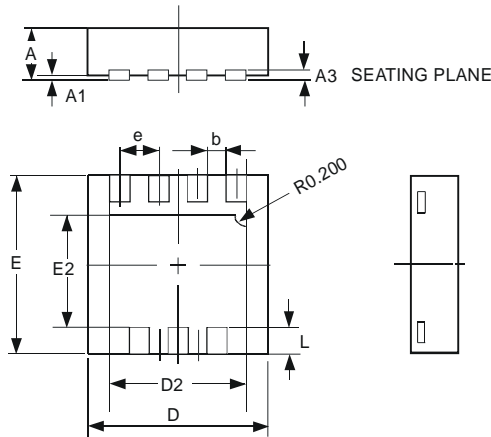
| DFN2020-6 | | | |
|----------------------|------|-------|------|
| Dim | Min | Max | Typ |
| A | 0.57 | 0.63 | 0.60 |
| A1 | 0 | 0.05 | 0.03 |
| A3 | — | — | 0.15 |
| b | 0.20 | 0.30 | 0.25 |
| D | 1.95 | 2.075 | 2.00 |
| D2 | 1.45 | 1.65 | 1.55 |
| e | — | — | 0.65 |
| E | 1.95 | 2.075 | 2.00 |
| E2 | 0.76 | 0.96 | 0.86 |
| L | 0.30 | 0.40 | 0.35 |
| All Dimensions in mm | | | |

DFN2020B-6



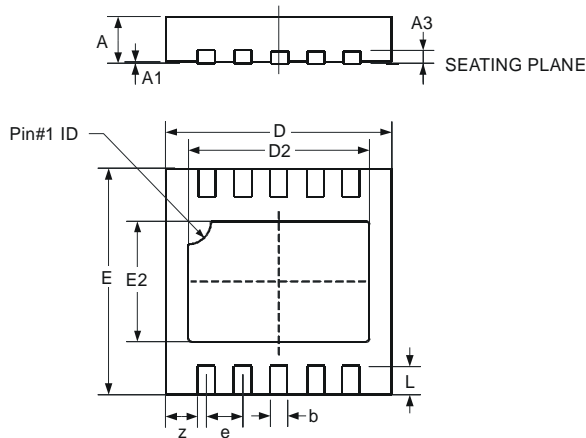
| DFN2020B-6 | | | |
|----------------------|------|-------|-------|
| Dim | Min | Max | Typ |
| A | 0.47 | 0.53 | 0.50 |
| A1 | 0 | 0.05 | 0.02 |
| A3 | — | — | 0.13 |
| b | 0.20 | 0.30 | 0.25 |
| D | 1.95 | 2.075 | 2.00 |
| d | — | — | 0.45 |
| D2 | 0.50 | 0.70 | 0.60 |
| e | — | — | 0.65 |
| E | 1.95 | 2.075 | 2.00 |
| E2 | 0.90 | 1.10 | 1.00 |
| f | — | — | 0.15 |
| L | 0.25 | 0.35 | 0.30 |
| z | — | — | 0.225 |
| All Dimensions in mm | | | |

DFN3030-8



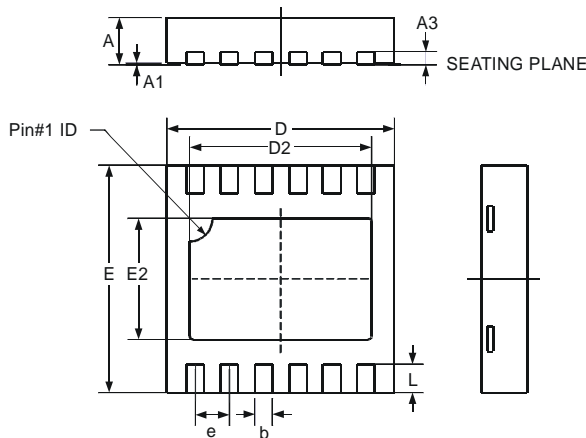
| DFN3030-8 | | | |
|----------------------|------|------|------|
| Dim | Min | Max | Typ |
| A | 0.57 | 0.63 | 0.60 |
| A1 | 0 | 0.05 | 0.02 |
| A3 | — | — | 0.15 |
| b | 0.29 | 0.39 | 0.34 |
| D | 2.90 | 3.10 | 3.00 |
| D2 | 2.19 | 2.39 | 2.29 |
| e | — | — | 0.65 |
| E | 2.90 | 3.10 | 3.00 |
| E2 | 1.64 | 1.84 | 1.74 |
| L | 0.30 | 0.60 | 0.45 |
| All Dimensions in mm | | | |

DFN3030-10



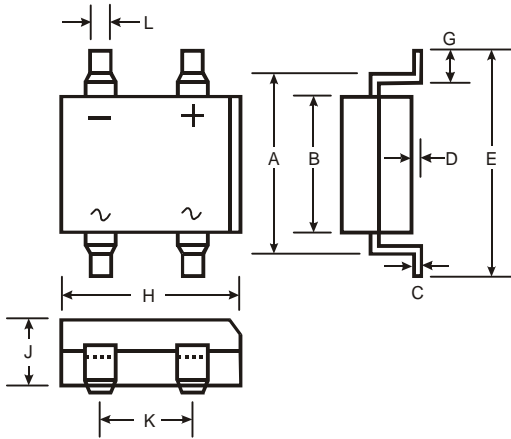
| DFN3030-10 | | | |
|----------------------|------|------|-------|
| Dim | Min | Max | Typ |
| A | 0.57 | 0.63 | 0.60 |
| A1 | 0 | 0.05 | 0.02 |
| A3 | — | — | 0.15 |
| b | 0.20 | 0.30 | 0.25 |
| D | 2.90 | 3.10 | 3.00 |
| D2 | 2.30 | 2.50 | 2.40 |
| e | — | — | 0.50 |
| E | 2.90 | 3.10 | 3.00 |
| E2 | 1.50 | 1.70 | 1.60 |
| L | 0.25 | 0.55 | 0.40 |
| z | — | — | 0.375 |
| All Dimensions in mm | | | |

DFN3030-12



| DFN3030-12 | | | |
|----------------------|------|------|------|
| Dim | Min | Max | Typ |
| A | 0.57 | 0.63 | 0.60 |
| A1 | 0 | 0.05 | 0.02 |
| A3 | — | — | 0.15 |
| b | 0.18 | 0.28 | 0.23 |
| D | 2.90 | 3.10 | 3.00 |
| D2 | 2.30 | 2.50 | 2.40 |
| e | — | — | 0.45 |
| E | 2.90 | 3.10 | 3.00 |
| E2 | 1.50 | 1.70 | 1.60 |
| L | 0.25 | 0.55 | 0.40 |
| All Dimensions in mm | | | |

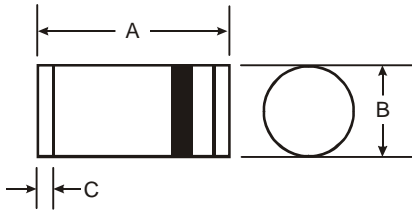
DF-S / MiniDIP



| DF-S | | |
|----------------------|-------|-------|
| Dim | Min | Max |
| A | 7.40 | 7.90 |
| B | 6.20 | 6.50 |
| C | 0.22 | 0.30 |
| D | 0.076 | 0.33 |
| E | — | 10.40 |
| G | 1.02 | 1.53 |
| H | 8.13 | 8.51 |
| J | 2.40 | 2.60 |
| K | 5.00 | 5.20 |
| L | 1.00 | 1.20 |
| All Dimensions in mm | | |

| MiniDIP | | |
|----------------------|------|------|
| Dim | Min | Max |
| A | 5.43 | 5.75 |
| B | 3.6 | 4.0 |
| C | 0.15 | 0.35 |
| D | 0.05 | 0.20 |
| E | — | 7.0 |
| G | 0.70 | 1.10 |
| H | 4.5 | 4.9 |
| J | 2.3 | 2.7 |
| K | 2.3 | 2.7 |
| L | 0.50 | 0.80 |
| All Dimensions in mm | | |

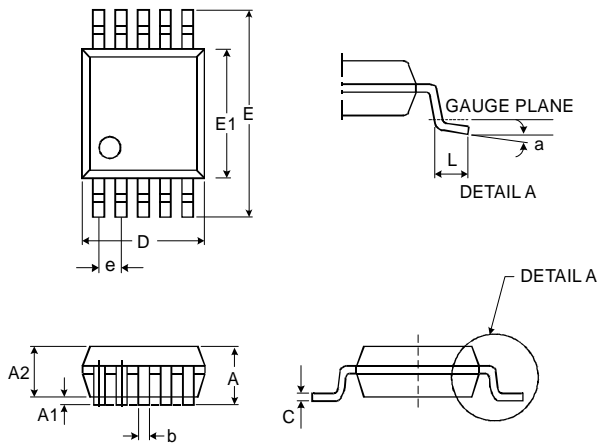
MiniMELF / MELF



| MiniMELF | | |
|----------------------|------|------|
| Dim | Min | Max |
| A | 3.30 | 3.70 |
| B | 1.30 | 1.60 |
| C | 0.28 | 0.50 |
| All Dimensions in mm | | |

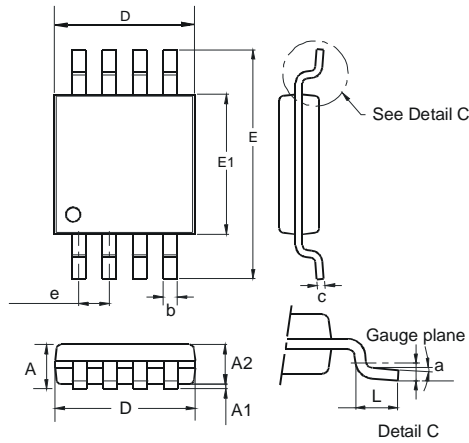
| MELF | | |
|----------------------|----------|------|
| Dim | Min | Max |
| A | 4.80 | 5.20 |
| B | 2.40 | 2.60 |
| C | 0.55 Typ | |
| All Dimensions in mm | | |

MSOP-10L



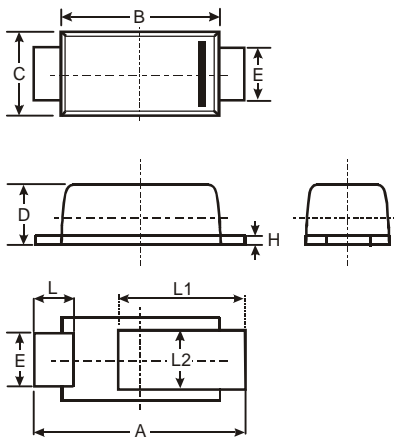
| MSOP-10L | | | |
|----------------------|------|------|------|
| Dim | Min | Max | Typ |
| a | 0° | 8° | 4° |
| A | - | 1.10 | - |
| A1 | 0.05 | 0.15 | 0.10 |
| A2 | 0.75 | 0.95 | 0.86 |
| b | 0.17 | 0.27 | 0.20 |
| c | 0.08 | 0.23 | 0.15 |
| D | 2.95 | 3.05 | 3.00 |
| e | - | - | 0.50 |
| E | 4.80 | 5.00 | 4.90 |
| E1 | 2.95 | 3.05 | 3.00 |
| L | 0.40 | 0.80 | 0.60 |
| All Dimensions in mm | | | |

MSOP-8L



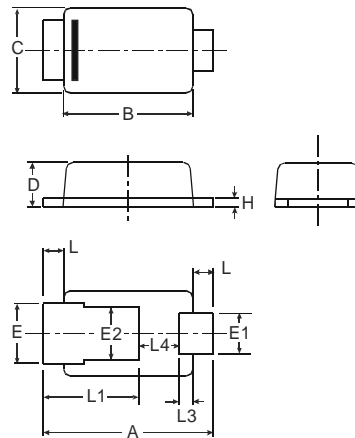
| MSOP-8L | | | |
|----------------------|------|------|------|
| Dim | Min | Max | Typ |
| a | 0° | 6° | 4° |
| A | — | 1.10 | — |
| A1 | 0.05 | 0.15 | 0.10 |
| A2 | 0.75 | 0.95 | 0.86 |
| b | 0.22 | 0.38 | 0.30 |
| c | 0.08 | 0.23 | 0.15 |
| D | 2.90 | 3.05 | 3.00 |
| e | — | — | 0.65 |
| E | 4.80 | 5.00 | 4.90 |
| E1 | 2.95 | 3.05 | 3.00 |
| L | 0.40 | 0.80 | 0.60 |
| All Dimensions in mm | | | |

PowerDI®123



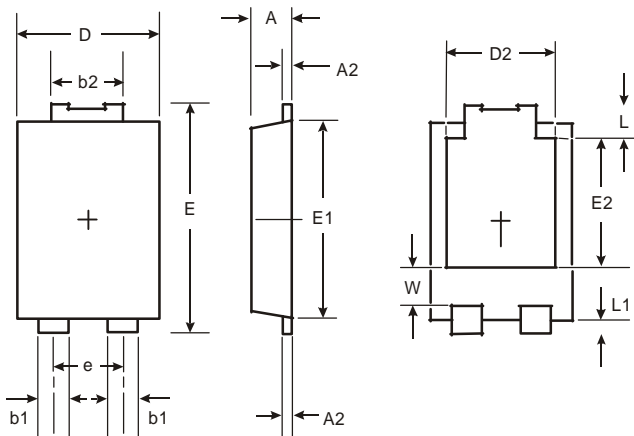
| PowerDI®123 | | | |
|----------------------|------|------|------|
| Dim | Min | Max | Typ |
| A | 3.50 | 3.90 | 3.70 |
| B | 2.60 | 3.00 | 2.80 |
| C | 1.63 | 1.93 | 1.78 |
| D | 0.93 | 1.00 | 0.98 |
| E | 0.85 | 1.25 | 1.00 |
| H | 0.15 | 0.25 | 0.20 |
| L | 0.55 | 0.75 | 0.65 |
| L1 | 1.80 | 2.20 | 2.00 |
| L2 | 0.95 | 1.25 | 1.10 |
| All Dimensions in mm | | | |

PowerDI®323



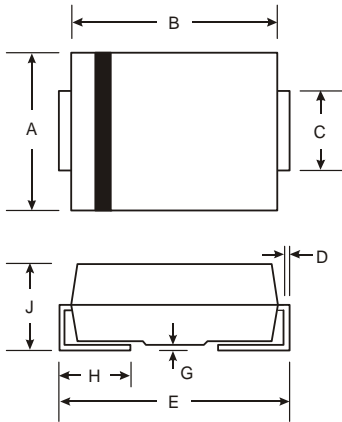
| PowerDI®323 | | | |
|----------------------|------|------|------|
| Dim | Min | Max | Typ |
| A | 2.40 | 2.60 | 2.50 |
| B | 1.85 | 1.95 | 1.90 |
| C | 1.20 | 1.30 | 1.25 |
| D | 0.60 | 0.70 | 0.65 |
| E | 0.78 | 0.98 | 0.88 |
| E1 | 0.50 | 0.70 | 0.60 |
| E2 | 0.60 | 1.00 | 0.80 |
| H | 0.08 | 0.18 | 0.13 |
| L | 0.20 | 0.40 | 0.30 |
| L1 | — | — | 1.40 |
| L3 | — | — | 0.20 |
| L4 | 0.40 | 0.80 | 0.60 |
| All Dimensions in mm | | | |

PowerDI®5



| PowerDI®5 | | |
|----------------------|-----------|------|
| Dim | Min | Max |
| A | 1.05 | 1.15 |
| A2 | 0.33 | 0.43 |
| b1 | 0.80 | 0.99 |
| b2 | 1.70 | 1.88 |
| D | 3.90 | 4.05 |
| D2 | 3.054 Typ | |
| E | 6.40 | 6.60 |
| e | 1.84 Typ | |
| E1 | 5.30 | 5.45 |
| E2 | 3.549 Typ | |
| L | 0.75 | 0.95 |
| L1 | 0.50 | 0.65 |
| W | 1.10 | 1.41 |
| All Dimensions in mm | | |

SMA, SMB, SMC

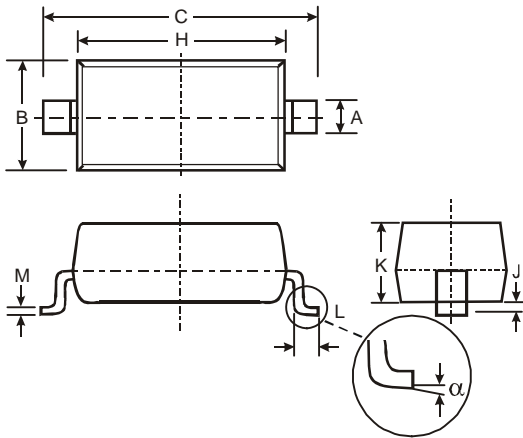


| SMA | | |
|----------------------|------|------|
| Dim | Min | Max |
| A | 2.29 | 2.92 |
| B | 4.00 | 4.60 |
| C | 1.27 | 1.63 |
| D | 0.15 | 0.31 |
| E | 4.80 | 5.59 |
| G | 0.05 | 0.20 |
| H | 0.76 | 1.52 |
| J | 2.01 | 2.30 |
| All Dimensions in mm | | |

| SMB | | |
|----------------------|------|------|
| Dim | Min | Max |
| A | 3.30 | 3.94 |
| B | 4.06 | 4.57 |
| C | 1.96 | 2.21 |
| D | 0.15 | 0.31 |
| E | 5.00 | 5.59 |
| G | 0.05 | 0.20 |
| H | 0.76 | 1.52 |
| J | 2.00 | 2.62 |
| All Dimensions in mm | | |

| SMC | | |
|----------------------|------|------|
| Dim | Min | Max |
| A | 5.59 | 6.22 |
| B | 6.60 | 7.11 |
| C | 2.75 | 3.18 |
| D | 0.15 | 0.31 |
| E | 7.75 | 8.13 |
| G | 0.10 | 0.20 |
| H | 0.76 | 1.52 |
| J | 2.00 | 2.62 |
| All Dimensions in mm | | |

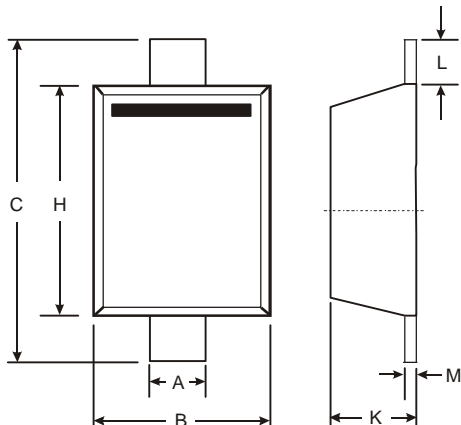
SOD-123 / SOD-323



| SOD-123 | | |
|----------------------|----------|------|
| Dim | Min | Max |
| A | 0.55 Typ | |
| B | 1.40 | 1.70 |
| C | 3.55 | 3.85 |
| H | 2.55 | 2.85 |
| J | 0.00 | 0.10 |
| K | 1.00 | 1.35 |
| L | 0.25 | 0.40 |
| M | 0.10 | 0.15 |
| α | 0 | 8° |
| All Dimensions in mm | | |

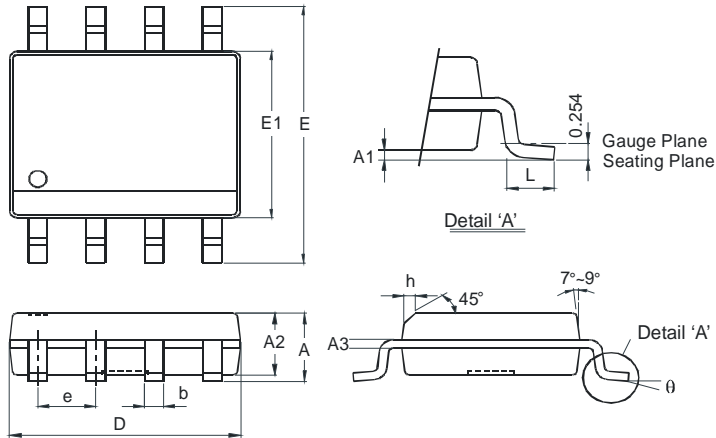
| SOD-323 | | |
|----------------------|------|------|
| Dim | Min | Max |
| A | 0.25 | 0.35 |
| B | 1.20 | 1.40 |
| C | 2.30 | 2.70 |
| H | 1.60 | 1.80 |
| J | 0.00 | 0.10 |
| K | 1.0 | 1.1 |
| L | 0.20 | 0.40 |
| M | 0.10 | 0.15 |
| α | 0° | 8° |
| All Dimensions in mm | | |

SOD-523



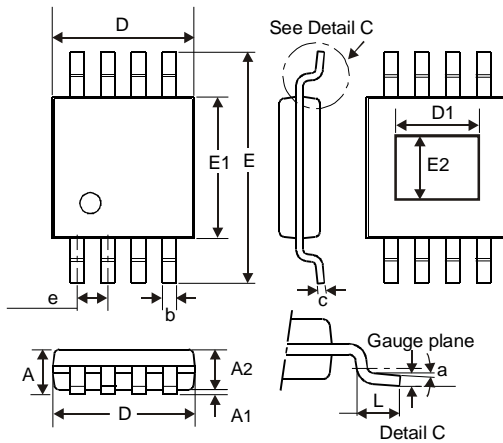
| SOD-523 | | |
|----------------------|------|------|
| Dim | Min | Max |
| A | 0.25 | 0.35 |
| B | 0.70 | 0.90 |
| C | 1.50 | 1.70 |
| H | 1.10 | 1.30 |
| K | 0.55 | 0.65 |
| L | 0.10 | 0.30 |
| M | 0.10 | 0.12 |
| All Dimensions in mm | | |

SOP-8L



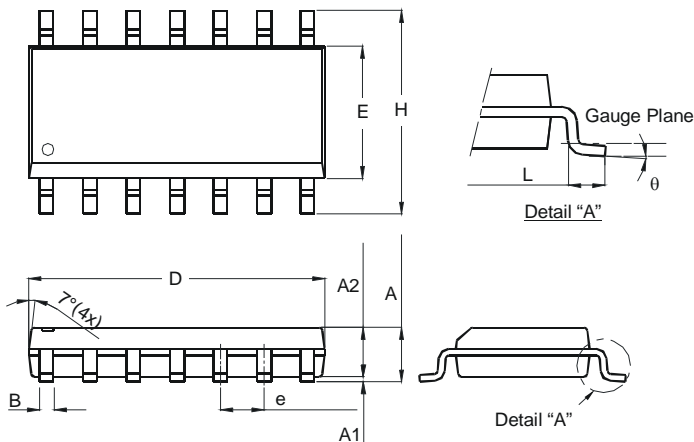
| SOP-8L | | |
|----------------------|----------|------|
| Dim | Min | Max |
| A | - | 1.75 |
| A1 | 0.08 | 0.25 |
| A2 | 1.40 | 1.50 |
| A3 | 0.20 Typ | |
| b | 0.3 | 0.5 |
| D | 4.85 | 4.95 |
| E | 5.90 | 6.10 |
| E1 | 3.80 | 3.90 |
| e | 1.27 Typ | |
| h | - | 0.35 |
| L | 0.60 | 0.80 |
| θ | 0° | 8° |
| All Dimensions in mm | | |

SOP-8L-EP



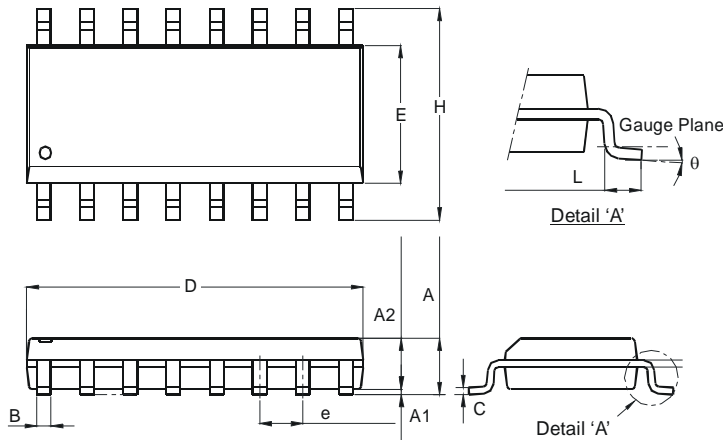
| MSOP-8L-EP | | | |
|----------------------|------|------|------|
| Dim | Min | Typ | Max |
| A | - | 1.10 | - |
| A1 | 0.05 | 0.15 | 0.10 |
| A2 | 0.75 | 0.95 | 0.86 |
| b | 0.22 | 0.38 | 0.30 |
| c | 0.08 | 0.23 | 0.15 |
| D | 2.90 | 3.10 | 3.00 |
| D1 | 1.60 | 2.00 | 1.80 |
| E | 4.70 | 5.10 | 4.90 |
| E1 | 2.85 | 2.95 | 3.05 |
| E2 | 1.30 | 1.50 | 1.70 |
| e | - | - | 0.65 |
| L | 0.40 | 0.80 | 0.60 |
| a | 0 | 8° | 4° |
| All Dimensions in mm | | | |

SOP-14L



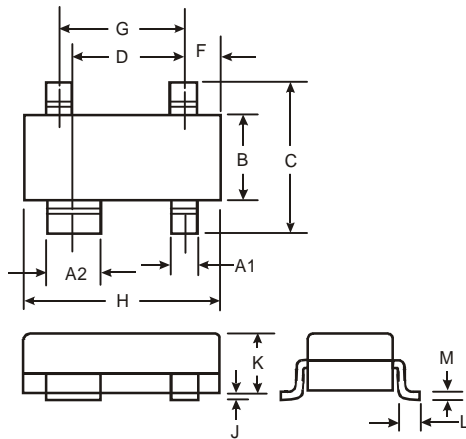
| SOP-14L | | |
|----------------------|----------|------|
| Dim | Min | Max |
| A | 1.47 | 1.73 |
| A1 | 0.10 | 0.25 |
| A2 | 1.45 Typ | |
| B | 0.33 | 0.51 |
| D | 8.53 | 8.74 |
| E | 3.80 | 3.99 |
| e | 1.27 Typ | |
| H | 5.80 | 6.20 |
| L | 0.38 | 1.27 |
| θ | 0° | 8° |
| All Dimensions in mm | | |

SOP-16L



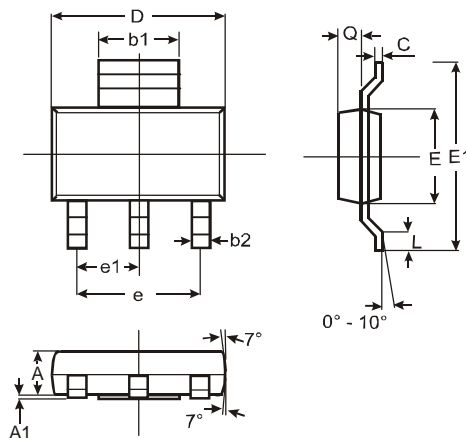
| SOP-16L | | |
|----------------------|----------|-------|
| Dim | Min | Max |
| A | 1.40 | 1.75 |
| A1 | 0.10 | 0.25 |
| A2 | 1.30 | 1.50 |
| B | 0.33 | 0.51 |
| C | 0.19 | 0.25 |
| D | 9.80 | 10.00 |
| E | 3.80 | 4.00 |
| e | 1.27 Typ | |
| H | 5.80 | 6.20 |
| L | 0.38 | 1.27 |
| θ | 0° | 8° |
| All Dimensions in mm | | |

SOT-143



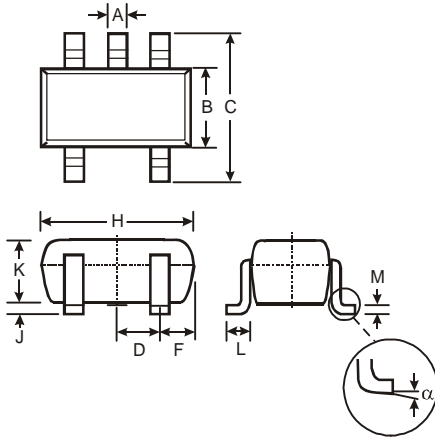
| SOT-143 | | |
|----------------------|-------|------|
| Dim | Min | Max |
| A1 | 0.37 | 0.51 |
| A2 | 0.77 | 0.93 |
| B | 1.20 | 1.40 |
| C | 2.28 | 2.48 |
| D | 1.58 | 1.83 |
| F | 0.45 | 0.60 |
| G | 1.78 | 2.03 |
| H | 2.80 | 3.00 |
| J | 0.013 | 1.00 |
| K | 0.89 | 0.10 |
| L | 0.46 | 0.60 |
| M | 0.085 | 0.18 |
| All Dimensions in mm | | |

SOT-223



| SOT-223 | | | |
|----------------------|-------|------|------|
| Dim | Min | Max | Typ |
| A | 1.55 | 1.65 | 1.60 |
| A1 | 0.010 | 0.15 | 0.05 |
| b1 | 2.90 | 3.10 | 3.00 |
| b2 | 0.60 | 0.80 | 0.70 |
| C | 0.20 | 0.30 | 0.25 |
| D | 6.45 | 6.55 | 6.50 |
| E | 3.45 | 3.55 | 3.50 |
| E1 | 6.90 | 7.10 | 7.00 |
| e | — | — | 4.60 |
| e1 | — | — | 2.30 |
| L | 0.85 | 1.05 | 0.95 |
| Q | 0.84 | 0.94 | 0.89 |
| All Dimensions in mm | | | |

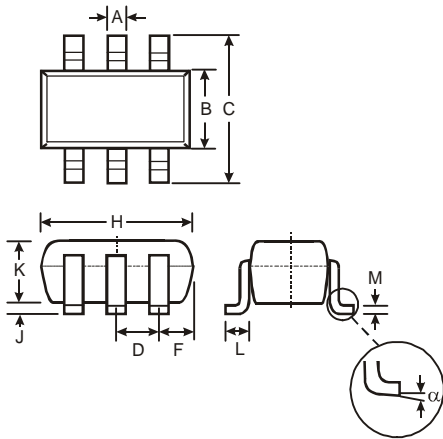
SOT-25 / SOT-353



| SOT-25 | | | |
|----------------------|-------|------|------|
| Dim | Min | Max | Typ |
| A | 0.35 | 0.50 | 0.38 |
| B | 1.50 | 1.70 | 1.60 |
| C | 2.70 | 3.00 | 2.80 |
| D | — | — | 0.95 |
| F | — | — | — |
| H | 2.90 | 3.10 | 3.00 |
| J | 0.013 | 0.10 | 0.05 |
| K | 1.00 | 1.30 | 1.10 |
| L | 0.35 | 0.55 | 0.40 |
| M | 0.10 | 0.20 | 0.15 |
| α | 0° | 8° | — |
| All Dimensions in mm | | | |

| SOT-353 | | |
|----------------------|----------|------|
| Dim | Min | Max |
| A | 0.10 | 0.30 |
| B | 1.15 | 1.35 |
| C | 2.00 | 2.20 |
| D | 0.65 Typ | |
| F | 0.40 | 0.45 |
| H | 1.80 | 2.20 |
| J | 0 | 0.10 |
| K | 0.90 | 1.00 |
| L | 0.25 | 0.40 |
| M | 0.10 | 0.22 |
| α | 0° | 8° |
| All Dimensions in mm | | |

SC-74R / SOT-26 / SOT-363

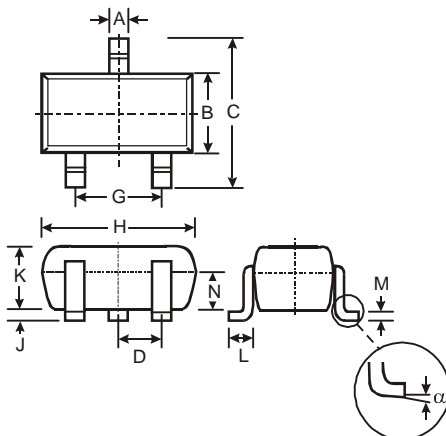


| SC-74R | | | |
|----------------------|-------|------|------|
| Dim | Min | Max | Typ |
| A | 0.35 | 0.50 | 0.38 |
| B | 1.50 | 1.70 | 1.60 |
| C | 2.70 | 3.00 | 2.80 |
| D | — | — | 0.95 |
| F | — | — | — |
| H | 2.90 | 3.10 | 3.00 |
| J | 0.013 | 0.10 | 0.05 |
| K | 1.00 | 1.30 | 1.10 |
| L | 0.35 | 0.55 | 0.40 |
| M | 0.10 | 0.20 | 0.15 |
| α | 0° | 8° | — |
| All Dimensions in mm | | | |

| SOT-26 | | | |
|----------------------|-------|------|------|
| Dim | Min | Max | Typ |
| A | 0.35 | 0.50 | 0.38 |
| B | 1.50 | 1.70 | 1.60 |
| C | 2.70 | 3.00 | 2.80 |
| D | — | — | 0.95 |
| F | — | — | — |
| H | 2.90 | 3.10 | 3.00 |
| J | 0.013 | 0.10 | 0.05 |
| K | 1.00 | 1.30 | 1.10 |
| L | 0.35 | 0.55 | 0.40 |
| M | 0.10 | 0.20 | 0.15 |
| α | 0° | 8° | — |
| All Dimensions in mm | | | |

| SOT-363 | | |
|----------------------|----------|------|
| Dim | Min | Max |
| A | 0.10 | 0.30 |
| B | 1.15 | 1.35 |
| C | 2.00 | 2.20 |
| D | 0.65 Typ | |
| F | 0.40 | 0.45 |
| H | 1.80 | 2.20 |
| J | 0 | 0.10 |
| K | 0.90 | 1.00 |
| L | 0.25 | 0.40 |
| M | 0.10 | 0.22 |
| α | 0° | 8° |
| All Dimensions in mm | | |

SC-59 / SOT-323 / SOT-523

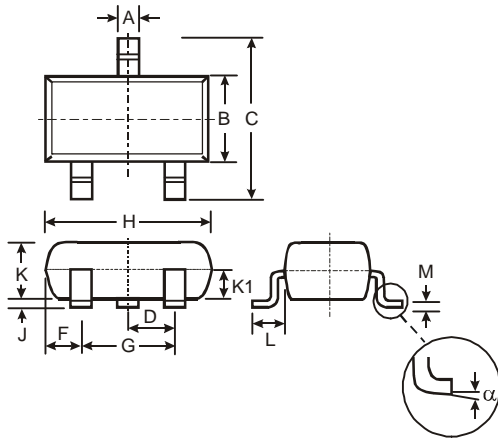


| SC-59 | | | |
|----------------------|-------|------|------|
| Dim | Min | Max | Typ |
| A | 0.35 | 0.50 | 0.38 |
| B | 1.50 | 1.70 | 1.60 |
| C | 2.70 | 3.00 | 2.80 |
| D | - | - | 0.95 |
| G | - | - | 1.90 |
| H | 2.90 | 3.10 | 3.00 |
| J | 0.013 | 0.10 | 0.05 |
| K | 1.00 | 1.30 | 1.10 |
| L | 0.35 | 0.55 | 0.40 |
| M | 0.10 | 0.20 | 0.15 |
| N | 0.70 | 0.80 | 0.75 |
| α | 0° | 8° | - |
| All Dimensions in mm | | | |

| SOT-323 | | | |
|----------------------|------|------|------|
| Dim | Min | Max | Typ |
| A | 0.25 | 0.40 | 0.30 |
| B | 1.15 | 1.35 | 1.30 |
| C | 2.00 | 2.20 | 2.10 |
| D | - | - | 0.65 |
| G | 1.20 | 1.40 | 1.30 |
| H | 1.80 | 2.20 | 2.15 |
| J | 0.0 | 0.10 | 0.05 |
| K | 0.90 | 1.00 | 1.00 |
| L | 0.25 | 0.40 | 0.30 |
| M | 0.10 | 0.18 | 0.11 |
| N | - | - | - |
| α | 0° | 8° | - |
| All Dimensions in mm | | | |

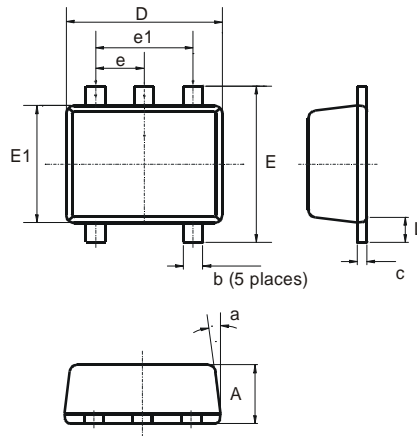
| SOT-523 | | | |
|----------------------|------|------|------|
| Dim | Min | Max | Typ |
| A | 0.15 | 0.30 | 0.22 |
| B | 0.75 | 0.85 | 0.80 |
| C | 1.45 | 1.75 | 1.60 |
| D | — | — | 0.50 |
| G | 0.90 | 1.10 | 1.00 |
| H | 1.50 | 1.70 | 1.60 |
| J | 0.00 | 0.10 | 0.05 |
| K | 0.60 | 0.80 | 0.75 |
| L | 0.10 | 0.30 | 0.22 |
| M | 0.10 | 0.20 | 0.12 |
| N | 0.45 | 0.65 | 0.50 |
| α | 0° | 8° | — |
| All Dimensions in mm | | | |

SOT-23



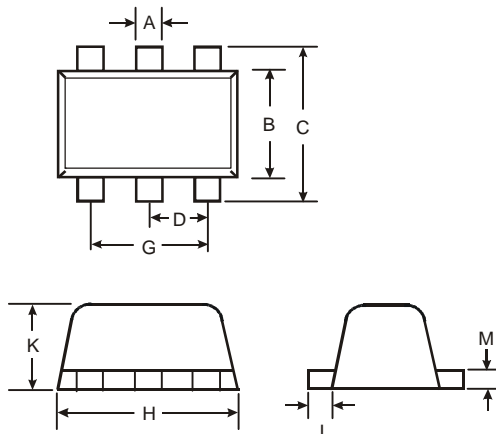
| SOT-23 | | | |
|----------------------|-------|------|-------|
| Dim | Min | Max | Typ |
| A | 0.37 | 0.51 | 0.40 |
| B | 1.20 | 1.40 | 1.30 |
| C | 2.30 | 2.50 | 2.40 |
| D | 0.89 | 1.03 | 0.915 |
| F | 0.45 | 0.60 | 0.535 |
| G | 1.78 | 2.05 | 1.83 |
| H | 2.80 | 3.00 | 2.90 |
| J | 0.013 | 0.10 | 0.05 |
| K | 0.903 | 1.10 | 1.00 |
| K1 | - | - | 0.400 |
| L | 0.45 | 0.61 | 0.55 |
| M | 0.085 | 0.18 | 0.11 |
| α | 0° | 8° | - |
| All Dimensions in mm | | | |

SOT-553



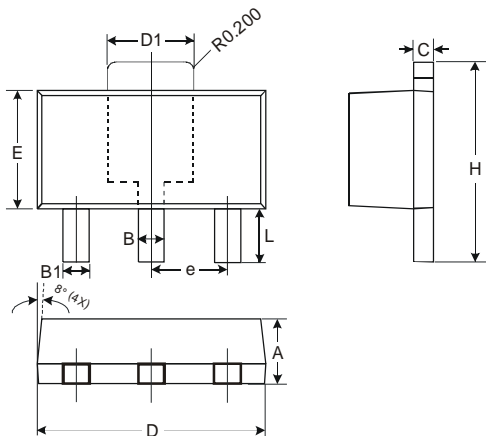
| SOT-553 | | | |
|----------------------|----------|------|------|
| Dim | Min | Max | Typ |
| A | 0.55 | 0.60 | 0.60 |
| c | 0.10 | 0.18 | 0.15 |
| D | 1.50 | 1.70 | 1.60 |
| E | 1.55 | 1.70 | 1.60 |
| E1 | 1.10 | 1.25 | 1.20 |
| L | 0.10 | 0.30 | 0.20 |
| b | 0.15 | 0.30 | 0.20 |
| e | 0.50 Typ | | |
| e1 | 1.00 Typ | | |
| a | 6° | 8° | 7° |
| All Dimensions in mm | | | |

SOT-563



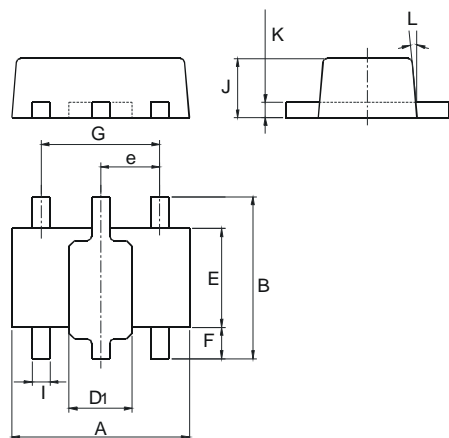
| SOT-563 | | | |
|----------------------|------|------|------|
| Dim | Min | Max | Typ |
| A | 0.15 | 0.30 | 0.20 |
| B | 1.10 | 1.25 | 1.20 |
| C | 1.55 | 1.70 | 1.60 |
| D | - | - | 0.50 |
| G | 0.90 | 1.10 | 1.00 |
| H | 1.50 | 1.70 | 1.60 |
| K | 0.55 | 0.60 | 0.60 |
| L | 0.10 | 0.30 | 0.20 |
| M | 0.10 | 0.18 | 0.11 |
| All Dimensions in mm | | | |

SOT89-3L



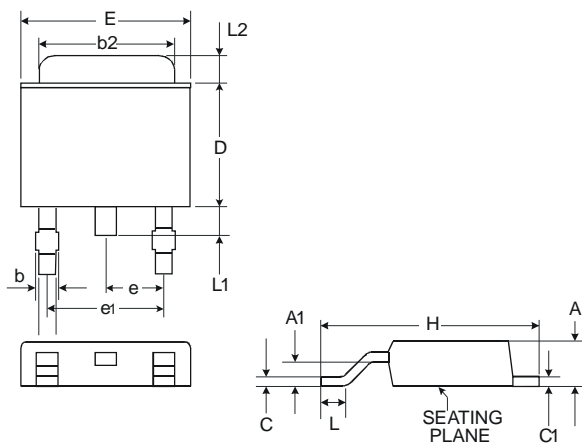
| SOT89-3L | | | |
|----------------------|------|------|------|
| Dim | Min | Max | Typ |
| A | 1.40 | 1.60 | 1.50 |
| B | 0.45 | 0.55 | 0.50 |
| B1 | 0.37 | 0.47 | 0.42 |
| C | 0.35 | 0.43 | 0.38 |
| D | 4.40 | 4.60 | 4.50 |
| D1 | 1.50 | 1.70 | 1.60 |
| E | 2.40 | 2.60 | 2.50 |
| e | — | — | 1.50 |
| H | 3.95 | 4.25 | 4.10 |
| L | 0.90 | 1.20 | 1.05 |
| All Dimensions in mm | | | |

SOT89-5L



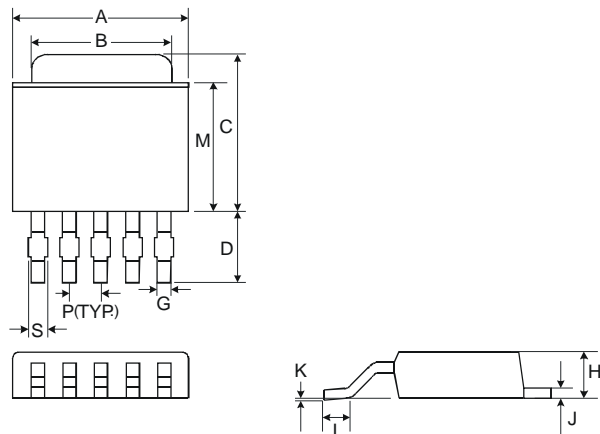
| SOT89-5L | | |
|----------------------|----------|------|
| Dim | Min | Max |
| A | 4.40 | 4.60 |
| B | 4.05 | 4.25 |
| D1 | 1.50 | 1.70 |
| e | 1.50 Typ | |
| E | 2.40 | 2.60 |
| F | 0.80 | — |
| G | 3.00 Typ | |
| I | 0.40 | 0.52 |
| J | 1.40 | 1.60 |
| K | 0.35 | 0.43 |
| L | 5° Typ | |
| All Dimensions in mm | | |

TO252-3L / DPAK



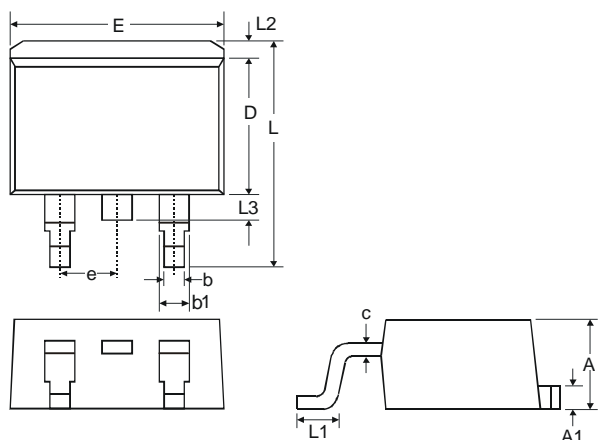
| TO252-3L / DPAK | | |
|----------------------|-----------|-------|
| Dim | Min | Max |
| A | 2.18 | 2.40 |
| A1 | 0.89 | 1.14 |
| b | 0.61 Typ. | |
| b2 | 5.20 | 5.50 |
| C | 0.45 | 0.58 |
| C1 | 0.45 | 0.58 |
| D | 5.40 | 6.20 |
| E | 6.35 | 6.80 |
| e | 2.28 Typ. | |
| e1 | 4.57 Typ. | |
| H | 9.00 | 10.40 |
| L | 0.51 | — |
| L1 | 0.64 | 1.02 |
| L2 | 0.88 | 1.27 |
| All Dimensions in mm | | |

TO252-5L



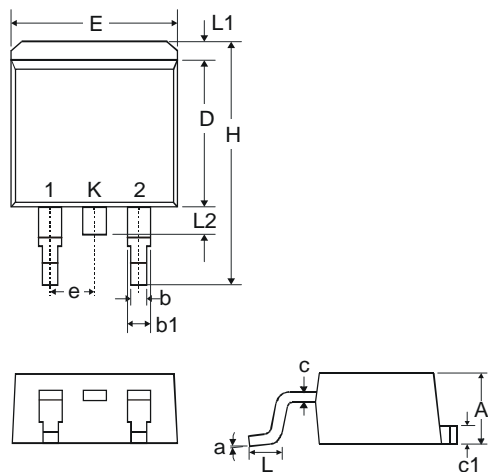
| TO252-5L | | |
|----------------------|----------|------|
| Dim | Min | Max |
| A | 6.35 | 6.80 |
| B | 5.20 | 5.50 |
| C | 6.80 | 7.20 |
| D | 2.20 | 2.80 |
| P | 1.27 Typ | |
| S | 0.50 | 0.80 |
| G | 0.40 | 0.60 |
| H | 2.20 | 2.40 |
| J | 0.46 | 0.58 |
| K | 0.00 | 0.15 |
| L | 0.90 | 1.50 |
| M | 5.40 | 5.59 |
| All Dimensions in mm | | |

TO263-3L



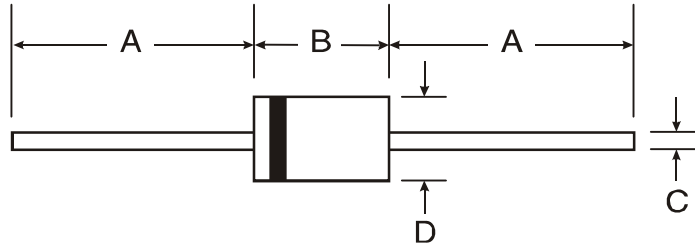
| TO263-3L | | |
|----------------------|----------|-------|
| Dim | Min | Max |
| A | 4.06 | 4.83 |
| A1 | 1.14 | 1.40 |
| b | 0.51 | 0.99 |
| b1 | 1.14 | 1.40 |
| c | 0.38 Typ | |
| D | 8.65 | 9.65 |
| E | 9.65 | 10.29 |
| e | 2.54 Typ | |
| L | 14.61 | 15.88 |
| L1 | 2.28 | 2.80 |
| L2 | — | 2.92 |
| L3 | 1.27 | 1.78 |
| All Dimensions in mm | | |

D²PAK



| D ² PAK | | |
|----------------------|----------|-------|
| Dim | Min | Max |
| A | 4.07 | 4.82 |
| b | 0.51 | 0.99 |
| b1 | 1.15 | 1.77 |
| c | 0.356 | 0.58 |
| c1 | 1.143 | 1.65 |
| D | 8.39 | 9.65 |
| E | 9.66 | 10.66 |
| e | 2.54 Typ | |
| H | 14.61 | 15.87 |
| L | 1.78 | 2.79 |
| L1 | — | 1.67 |
| L2 | — | 1.77 |
| a | 0° | 8° |
| All Dimensions in mm | | |

Axial / Through-Hole Packages



| DO-35 | | |
|----------------------|-------|------|
| Dim | Min | Max |
| A | 25.40 | — |
| B | — | 4.00 |
| C | — | 0.60 |
| D | — | 2.00 |
| All Dimensions in mm | | |

| DO-41 Plastic | | |
|----------------------|-------|-------|
| Dim | Min | Max |
| A | 25.40 | — |
| B | 4.06 | 5.21 |
| C | 0.71 | 0.864 |
| D | 2.00 | 2.72 |
| All Dimensions in mm | | |

| DO-41 Glass | | |
|----------------------|-------|-------|
| Dim | Min | Max |
| A | 25.40 | — |
| B | — | 4.70 |
| C | — | 0.863 |
| D | — | 2.71 |
| All Dimensions in mm | | |

| DO-15 | | |
|----------------------|-------|-------|
| Dim | Min | Max |
| A | 25.40 | — |
| B | 5.50 | 7.62 |
| C | 0.686 | 0.889 |
| D | 2.60 | 3.60 |
| All Dimensions in mm | | |

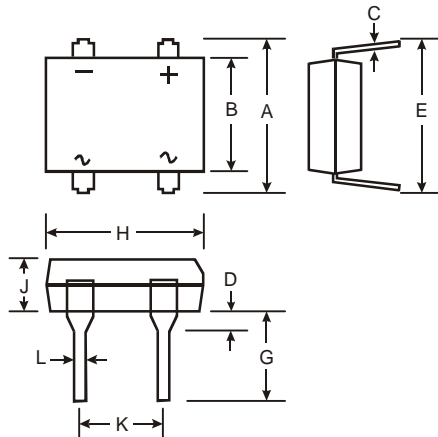
| DO-201 | | |
|----------------------|-------|------|
| Dim | Min | Max |
| A | 25.40 | — |
| B | 8.50 | 9.53 |
| C | 0.96 | 1.06 |
| D | 4.80 | 5.21 |
| All Dimensions in mm | | |

| DO-201AD | | |
|----------------------|-------|------|
| Dim | Min | Max |
| A | 25.40 | — |
| B | 7.20 | 9.50 |
| C | 1.20 | 1.30 |
| D | 4.80 | 5.30 |
| All Dimensions in mm | | |

| R-6 | | |
|----------------------|-------|------|
| Dim | Min | Max |
| A | 25.40 | — |
| B | 8.60 | 9.10 |
| C | 1.20 | 1.30 |
| D | 8.60 | 9.10 |
| All Dimensions in mm | | |

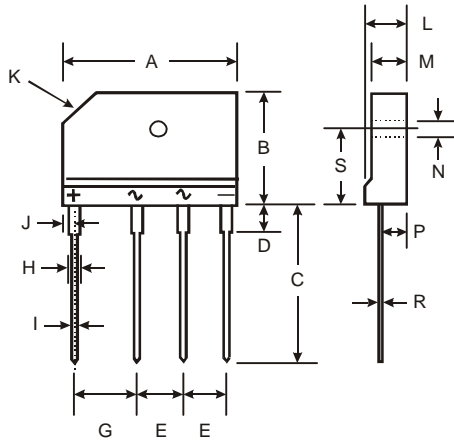
| T-1 | | |
|----------------------|-------|------|
| Dim | Min | Max |
| A | 25.40 | — |
| B | 2.60 | 3.20 |
| C | 0.53 | 0.64 |
| D | 2.20 | 2.60 |
| All Dimensions in mm | | |

DF-M



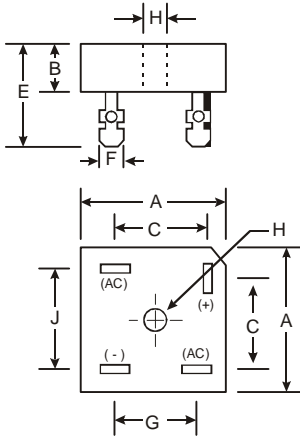
| DF-M | | |
|----------------------|------|------|
| Dim | Min | Max |
| A | 7.40 | 7.90 |
| B | 6.20 | 6.50 |
| C | 0.22 | 0.30 |
| D | 1.27 | 2.03 |
| E | 7.60 | 8.90 |
| G | 3.81 | 4.69 |
| H | 8.13 | 8.51 |
| J | 2.40 | 3.40 |
| K | 5.00 | 5.20 |
| L | 0.46 | 0.58 |
| All Dimensions in mm | | |

GBJ



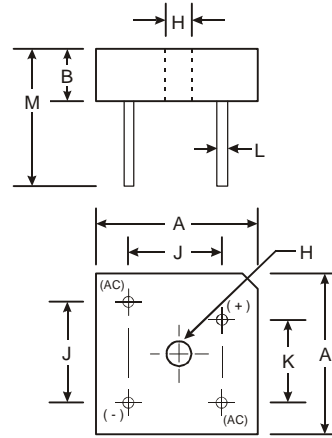
| GBJ | | |
|----------------------|-----------|-------|
| Dim | Min | Max |
| A | 29.70 | 30.30 |
| B | 19.70 | 20.30 |
| C | 17.00 | 18.00 |
| D | 3.80 | 4.20 |
| E | 7.30 | 7.70 |
| G | 9.80 | 10.20 |
| H | 2.00 | 2.40 |
| I | 0.90 | 1.10 |
| J | 2.30 | 2.70 |
| K | 3.0 X 45° | |
| L | 4.40 | 4.80 |
| M | 3.40 | 3.80 |
| N | 3.10 | 3.40 |
| P | 2.50 | 2.90 |
| R | 0.60 | 0.80 |
| S | 10.80 | 11.20 |
| All Dimensions in mm | | |

GBPC



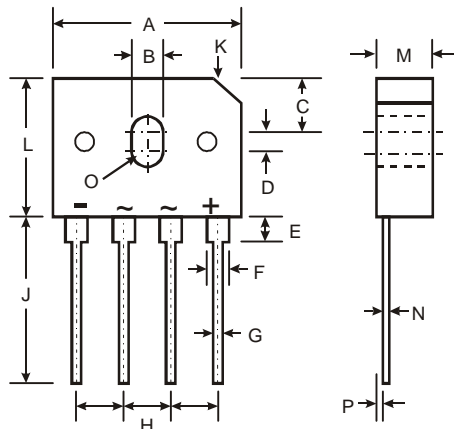
| GBPC | | |
|----------------------|-----------------------------------|-------|
| Dim | Min | Max |
| A | 28.30 | 28.80 |
| B | 7.40 | 8.00 |
| C | 16.10 | 17.10 |
| E | 18.80 | 21.30 |
| G | 13.80 | 14.80 |
| H | Hole for #10 screw 5.08Ø 5.59Ø | |
| J | 17.60 | 18.60 |
| F | 6.30 | 6.50 |
| All Dimensions in mm | | |

GBPC-W



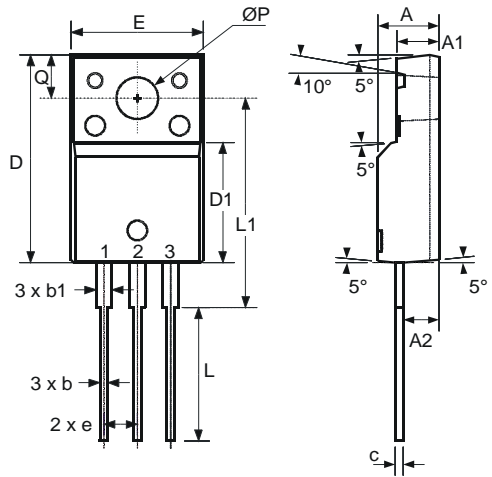
| GBPC-W | | |
|----------------------|-----------------------------------|-------|
| Dim | Min | Max |
| A | 28.30 | 28.80 |
| B | 7.40 | 8.00 |
| H | Hole for #10 screw 5.08Ø 5.59Ø | |
| J | 17.60 | 18.60 |
| K | 10.90 | 11.90 |
| L | 0.97Ø | 1.07Ø |
| M | 31.80 | — |
| All Dimensions in mm | | |

GBU



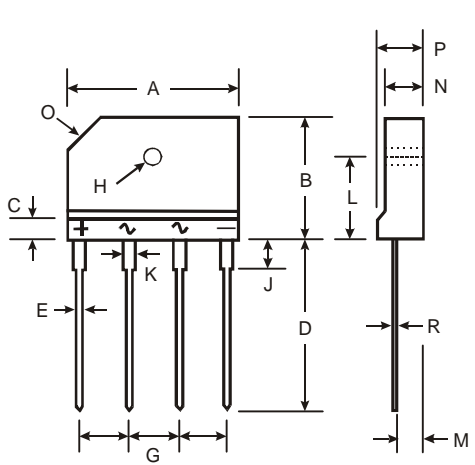
| GBU | | |
|----------------------|-----------|------|
| Dim | Min | Max |
| A | 21.8 | 22.3 |
| B | 3.5 | 4.1 |
| C | 7.4 | 7.9 |
| D | 1.65 | 2.16 |
| E | 2.25 | 2.75 |
| F | 1.95 | 2.35 |
| G | 1.02 | 1.27 |
| H | 4.83 | 5.33 |
| J | 17.5 | 18.0 |
| K | 3.2 X 45° | |
| L | 18.3 | 18.8 |
| M | 3.30 | 3.56 |
| N | 0.46 | 0.56 |
| O | 1.90R | |
| P | 0.76 | 1.0 |
| All Dimensions in mm | | |

ITO-220AB



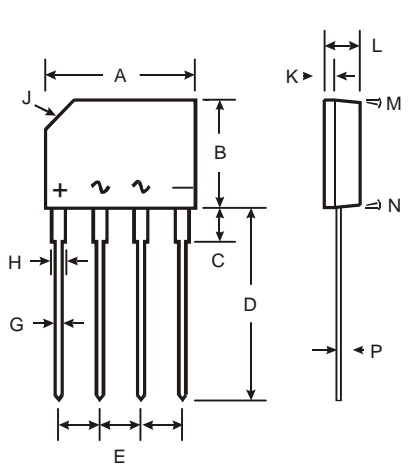
| ITO-220AB | | | |
|----------------------|-------|-------|-------|
| Dim | Min | Typ | Max |
| A | 4.50 | 4.70 | 4.90 |
| A1 | 3.04 | 3.24 | 3.44 |
| A2 | 2.56 | 2.76 | 2.96 |
| b | 0.50 | 0.60 | 0.75 |
| b1 | 1.10 | 1.20 | 1.35 |
| c | 0.50 | 0.60 | 0.70 |
| D | 15.67 | 15.87 | 16.07 |
| D1 | 8.99 | 9.19 | 9.39 |
| e | 2.54 | | |
| E | 9.91 | 10.11 | 10.31 |
| L | 9.45 | 9.75 | 10.05 |
| L1 | 15.80 | 16.00 | 16.20 |
| P | 2.98 | 3.18 | 3.38 |
| Q | 3.10 | 3.30 | 3.50 |
| All Dimensions in mm | | | |

KBJ



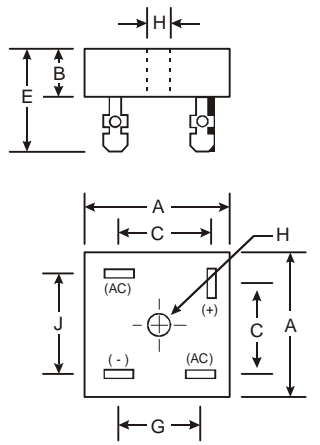
| KBJ | | |
|----------------------|--------------------|--------------------|
| Dim | Min | Max |
| A | 24.80 | 25.20 |
| B | 14.70 | 15.30 |
| C | 3.90 | 4.10 |
| D | 17.20 | 17.80 |
| E | 0.90 | 1.10 |
| G | 7.30 | 7.70 |
| H | 3.10 \varnothing | 3.40 \varnothing |
| J | 3.30 | 3.70 |
| K | 1.50 | 1.90 |
| L | 9.30 | 9.70 |
| M | 2.50 | 2.90 |
| N | 3.40 | 3.80 |
| O | 3.0 x 45° | |
| P | 4.40 | 4.80 |
| R | 0.60 | 0.80 |
| All Dimensions in mm | | |

KBP



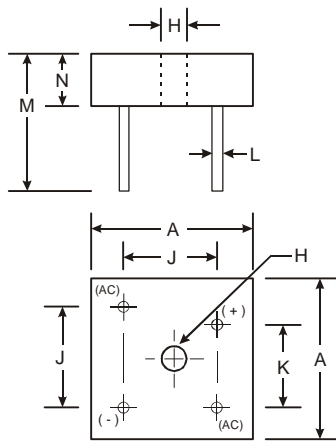
| KBP | | |
|----------------------|-----------|-------|
| Dim | Min | Max |
| A | 14.25 | 14.75 |
| B | 10.20 | 10.60 |
| C | 1.80 | 2.20 |
| D | 14.25 | 14.73 |
| E | 3.56 | 4.06 |
| G | 0.76 | 0.86 |
| H | 1.17 | 1.42 |
| J | 2.8 X 45° | |
| K | 0.80 | 1.10 |
| L | 3.35 | 3.65 |
| M | 3° Typ | |
| N | 2° Typ | |
| P | 0.30 | 0.64 |
| All Dimensions in mm | | |

MB



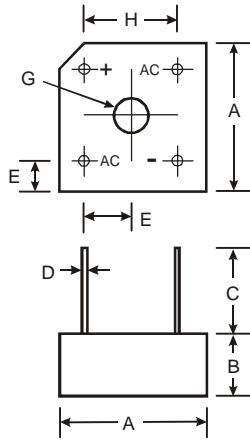
| MB | | |
|----------------------|---|--------------------|
| Dim | Min | Max |
| A | 28.40 | 28.70 |
| B | 10.97 | 11.23 |
| C | 15.50 | 17.60 |
| E | 22.86 | 25.40 |
| G | 13.30 | 15.30 |
| H | Hole for #10 screw | |
| | 4.85 \varnothing | 5.59 \varnothing |
| J | 17.10 | 19.10 |
| K | 10.40 | 12.40 |
| L | 0.97 \varnothing Typ 1.07 \varnothing | |
| M | 30.50 | — |
| N | 10.97 | 11.23 |
| All Dimensions in mm | | |

MB-W



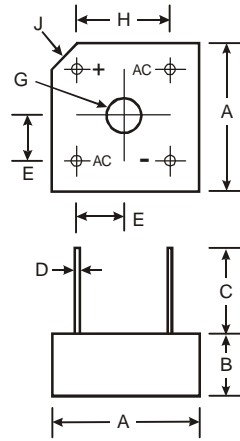
| MB-W | | |
|----------------------|---|--------------------|
| Dim | Min | Max |
| A | 28.40 | 28.70 |
| B | 10.97 | 11.23 |
| C | 15.50 | 17.60 |
| E | 22.86 | 25.40 |
| G | 13.30 | 15.30 |
| H | Hole for #10 screw | |
| | 4.85 \varnothing | 5.59 \varnothing |
| J | 17.10 | 19.10 |
| K | 10.40 | 12.40 |
| L | 0.97 \varnothing Typ 1.07 \varnothing | |
| M | 30.50 | — |
| N | 10.97 | 11.23 |
| All Dimensions in mm | | |

PBPC-3 / PBPC-6



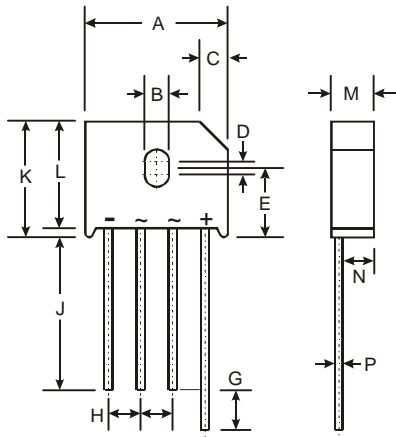
| PBPC-3 / PBPC-6 | | |
|----------------------|------------------------|--------------------|
| Dim | Min | Max |
| A | 14.73 | 15.75 |
| B | 5.84 | 6.86 |
| C | 19.00 | — |
| D | 0.76 \varnothing Typ | |
| E | 1.70 | 3.20 |
| G | Hole for #6 screw | |
| | 3.60 \varnothing | 4.00 \varnothing |
| H | 10.30 | 11.30 |
| All Dimensions in mm | | |

PBPC-8



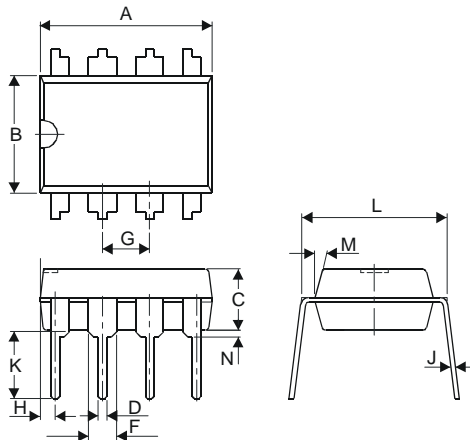
| PBPC-8 | | |
|----------------------|------------------------|--------------------|
| Dim | Min | Max |
| A | 18.54 | 19.56 |
| B | 6.35 | 7.60 |
| C | 22.20 | — |
| D | 1.27 \varnothing Typ | |
| E | 5.33 | 7.37 |
| G | 3.60 \varnothing | 4.00 \varnothing |
| | 12.70 Typ | |
| J | 2.38 X 45° Typ | |
| All Dimensions in mm | | |

PBU



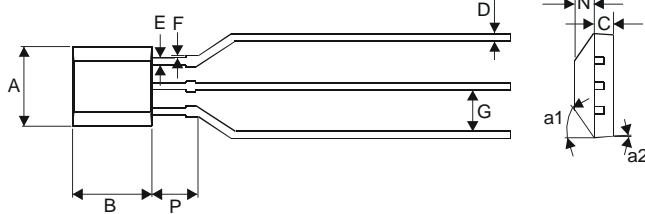
| PBU | | |
|----------------------|-------|-------|
| Dim | Min | Max |
| A | 22.70 | 23.70 |
| B | 3.80 | 4.10 |
| C | 4.20 | 4.70 |
| D | 1.70 | 2.20 |
| E | 10.30 | 11.30 |
| G | 4.50 | 6.80 |
| H | 4.80 | 5.80 |
| J | 25.40 | — |
| K | — | 19.30 |
| L | 16.80 | 17.80 |
| M | 6.60 | 7.10 |
| N | 4.70 | 5.20 |
| P | 1.20 | 1.30 |
| All Dimensions in mm | | |

PDIP-8L



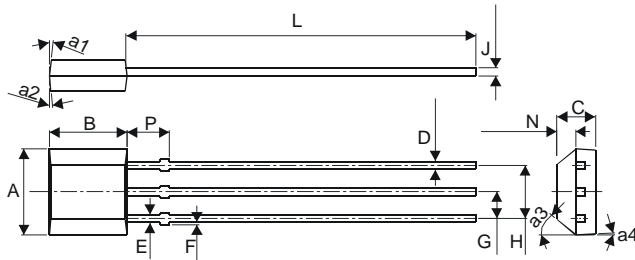
| PDIP-8L | | |
|----------------------|------------|------|
| Dim | Min | Max |
| A | 9.02 | 9.53 |
| B | 6.15 | 6.35 |
| C | 3.10 | 3.50 |
| D | 0.36 | 0.56 |
| F | 1.40 | 1.65 |
| G | 2.54 typ. | |
| H | 0.71 | 0.97 |
| J | 0.20 | 0.36 |
| K | 2.92 | 3.81 |
| L | 7.62 | 8.26 |
| M | — | 15° |
| N | 0.38 (min) | |
| All Dimensions in mm | | |

SIP-3L for Ammo Pack only



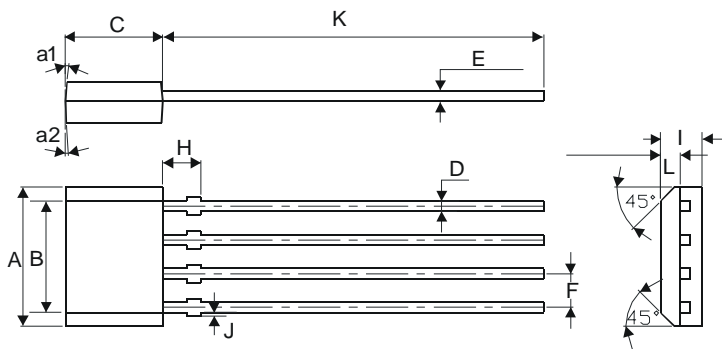
| SIP-3L for Ammo Pack only | | |
|------------------------------|---------|------|
| Dim | Min | Max |
| A | 3.9 | 4.3 |
| a1 | 45° Typ | |
| a2 | 3° Typ | |
| B | 2.8 | 3.2 |
| C | 1.40 | 1.60 |
| D | 0.35 | 0.41 |
| E | 0.43 | 0.48 |
| F | 0 | 0.2 |
| G | 2.4 | 2.9 |
| N | 0.63 | 0.84 |
| P | 1.55 | - |
| All Dimensions in mm | | |

SIP-3L for Bulk Pack



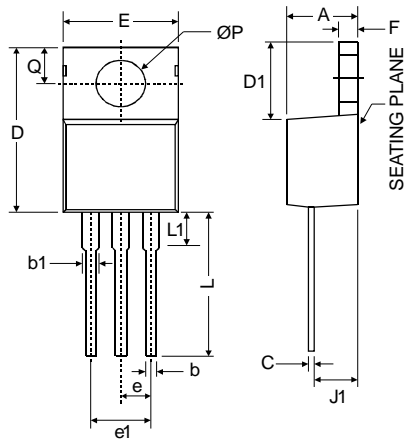
| SIP-3L for Bulk Pack | | |
|----------------------|---------|------|
| Dim | Min | Max |
| A | 3.9 | 4.3 |
| a1 | 5° Typ | |
| a2 | 5° Typ | |
| a3 | 45° Typ | |
| a4 | 3° Typ | |
| B | 2.8 | 3.2 |
| C | 1.40 | 1.60 |
| D | 0.35 | 0.41 |
| E | 0.43 | 0.48 |
| F | 0 | 0.2 |
| G | 1.24 | 1.30 |
| H | 2.51 | 2.57 |
| J | 0.35 | 0.41 |
| L | 14.0 | 15.0 |
| N | 0.63 | 0.84 |
| P | 1.55 | - |
| All Dimensions in mm | | |

SIP-4L



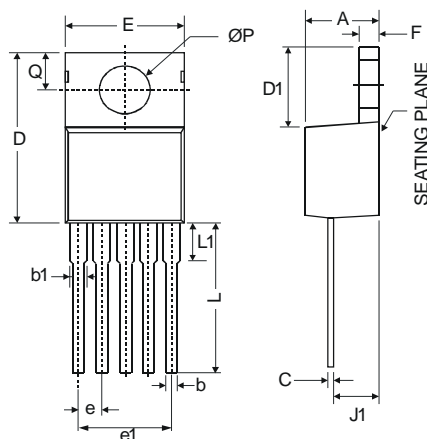
| SIP-4L | | |
|----------------------|-------|------|
| Dim | Min | Max |
| A | 5.12 | 5.32 |
| B | 4.10 | 4.30 |
| C | 3.55 | 3.75 |
| D | 0.38 | 0.44 |
| E | 0.35 | 0.41 |
| F | 1.24 | 1.30 |
| H | 1.32 | 1.52 |
| I | 1.45 | 1.65 |
| J | 0.00 | 0.2 |
| K | 13.00 | 15.5 |
| L | 0.63 | 0.83 |
| a1 | 3° | 5° |
| a2 | 4° | 7° |
| All Dimensions in mm | | |

TO220-3L



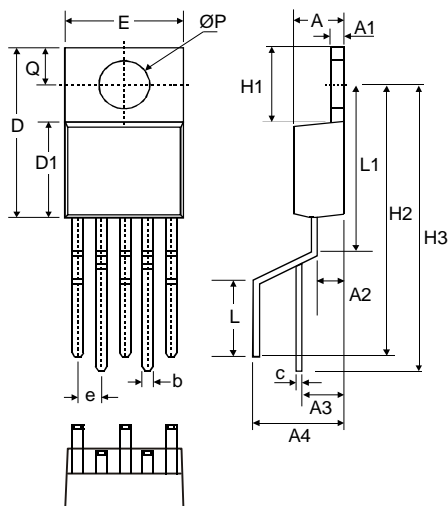
| TO220-3L | | |
|----------------------|-------|-------|
| Dim | Min | Max |
| A | 3.55 | 4.85 |
| b | 0.51 | 1.14 |
| b1 | 1.14 | 1.78 |
| C | 0.31 | 1.14 |
| D | 14.20 | 16.50 |
| D1 | 5.84 | 6.86 |
| E | 9.70 | 10.70 |
| e | 2.79 | 2.99 |
| e1 | 4.83 | 5.33 |
| F | 0.51 | 1.40 |
| J1 | 2.03 | 2.92 |
| L | 12.72 | 14.72 |
| L1 | 3.66 | 6.35 |
| P | 3.53 | 4.09 |
| Q | 2.54 | 3.43 |
| All Dimensions in mm | | |

TO220-5L



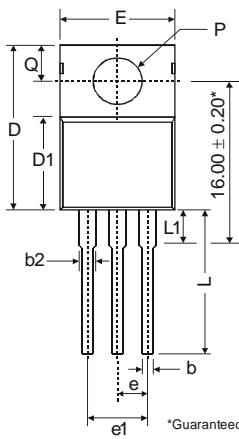
| TO220-5L | | |
|----------------------|-------|-------|
| Dim | Min | Max |
| A | 3.55 | 4.85 |
| b | 0.51 | 1.14 |
| b1 | 1.14 | 1.78 |
| C | 0.31 | 1.14 |
| D | 14.20 | 16.50 |
| D1 | 5.84 | 6.86 |
| E | 9.78 | 10.54 |
| e | 1.6 | 1.8 |
| e1 | 6.6 | 7.0 |
| F | 0.51 | 1.40 |
| J1 | 2.03 | 2.92 |
| L | 12.72 | 14.72 |
| L1 | 3.66 | 6.35 |
| P | 3.53 | 4.09 |
| Q | 2.54 | 3.43 |
| All Dimensions in mm | | |

TO220-5L(R)



| TO220-5L(R) | | | |
|----------------------|-------|-------|-------|
| Dim | Min | Typ | Max |
| A | 4.37 | 4.57 | 4.77 |
| A1 | 1.12 | 1.27 | 1.40 |
| A2 | 2.45 | 2.65 | 2.85 |
| A3 | 4.10 | 4.40 | 4.70 |
| A4 | 7.95 | 8.25 | 8.55 |
| b | 0.64 | 0.79 | 0.94 |
| c | 0.35 | 0.38 | 0.55 |
| D | 14.80 | 15.00 | 15.20 |
| D1 | 8.50 | 8.70 | 8.90 |
| e | - | 1.70 | - |
| E | 9.96 | 10.16 | 10.36 |
| H1 | 6.10 | 6.30 | 6.50 |
| H2 | 21.32 | 22.12 | 22.92 |
| H3 | 24.15 | 24.95 | 25.75 |
| L | - | 6.30 | - |
| L1 | 13.10 | 13.50 | 13.90 |
| P | 3.64 | 3.84 | 4.04 |
| Q | 2.55 | 2.75 | 2.95 |
| All Dimensions in mm | | | |

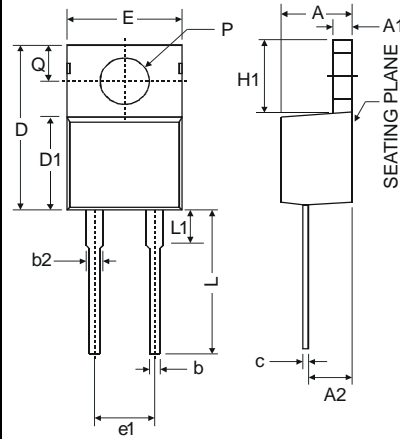
TO-220AB



*Guaranteed by TO-220AB leadframe design

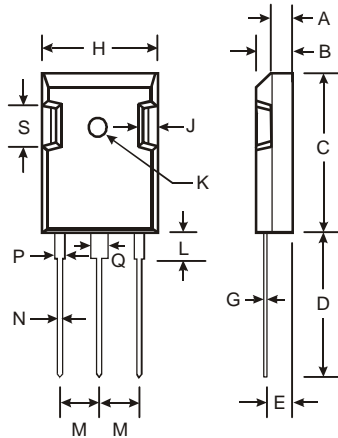
| TO-220AB | | | |
|-----------------------------|-------|------|-------|
| Dim | Min | Typ | Max |
| A | 3.56 | - | 4.82 |
| A1 | 0.51 | - | 1.39 |
| A2 | 2.04 | - | 2.92 |
| b | 0.39 | 0.81 | 1.01 |
| b2 | 1.15 | 1.24 | 1.77 |
| c | 0.356 | - | 0.61 |
| D | 14.22 | - | 16.51 |
| D1 | 8.39 | - | 9.01 |
| e | 2.54 | | |
| e1 | 5.08 | | |
| E | 9.66 | - | 10.66 |
| H1 | 5.85 | - | 6.85 |
| L | 12.70 | - | 14.73 |
| L1 | - | - | 6.35 |
| P | 3.54 | - | 4.08 |
| Q | 2.54 | - | 3.42 |
| All Dimensions in mm | | | |

TO-220AC



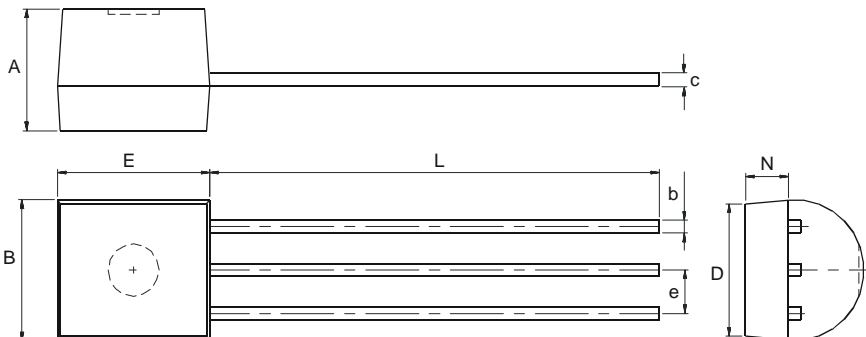
| TO-220AC | | | |
|-----------------------------|-------|------|-------|
| Dim | Min | Typ | Max |
| A | 3.56 | - | 4.82 |
| A1 | 0.51 | - | 1.39 |
| A2 | 2.04 | - | 2.92 |
| b | 0.39 | 0.81 | 1.01 |
| b2 | 1.15 | 1.24 | 1.77 |
| c | 0.356 | - | 0.61 |
| D | 14.22 | - | 16.51 |
| D1 | 8.39 | - | 9.01 |
| e | 2.54 | | |
| e1 | 5.08 | | |
| E | 9.66 | - | 10.66 |
| H1 | 5.85 | - | 6.85 |
| L | 12.70 | - | 14.73 |
| L1 | - | - | 6.35 |
| P | 3.54 | - | 4.08 |
| Q | 2.54 | - | 3.42 |
| All Dimensions in mm | | | |

TO-3P / TO-247



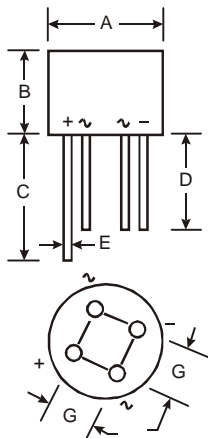
| TO-3P / TO-247 | | |
|-----------------------------|-------------------|-------------------|
| Dim | Min | Max |
| A | 1.9 | 2.1 |
| B | 4.85 | 5.15 |
| C | 20.3 | 21.75 |
| D | 19.60 | 20.1 |
| E | 2.2 | 2.6 |
| G | 0.51 | 0.76 |
| H | 15.45 | 16.25 |
| J | 1.93 | 2.18 |
| K | 2.9 \varnothing | 3.2 \varnothing |
| L | 3.78 | 4.38 |
| M | 5.2 | 5.7 |
| N | 1.0 | 1.4 |
| P | 1.8 | 2.2 |
| Q | 2.8 | 3.2 |
| S | 4.4 Typ | |
| All Dimensions in mm | | |

TO92-3L



| TO92-3L | | |
|-----------------------------|----------|------|
| Dim | Min | Max |
| A | 3.45 | 3.66 |
| B | 4.27 | 4.78 |
| b | 0.38 Typ | |
| c | 0.38 Typ | |
| D | 3.87 Typ | |
| E | 4.32 | 4.83 |
| e | 1.27 Typ | |
| L | 12.98 | 14.0 |
| N | 1.22 | 1.37 |
| All Dimensions in mm | | |

WOG



| WOG | | |
|----------------------|-------|------|
| Dim | Min | Max |
| A | 8.84 | 9.86 |
| B | 4.00 | 4.60 |
| C | 27.90 | — |
| D | 25.40 | — |
| E | 0.71 | 0.81 |
| G | 4.60 | 5.60 |
| All Dimensions in mm | | |