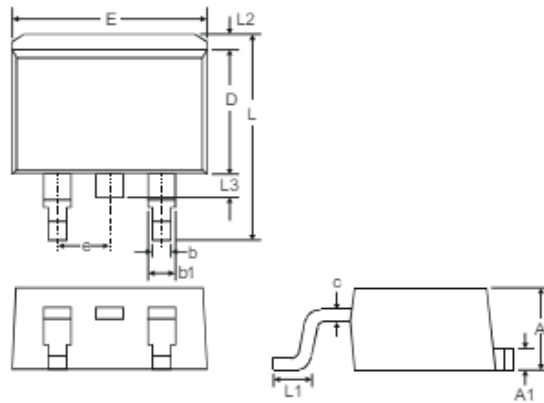
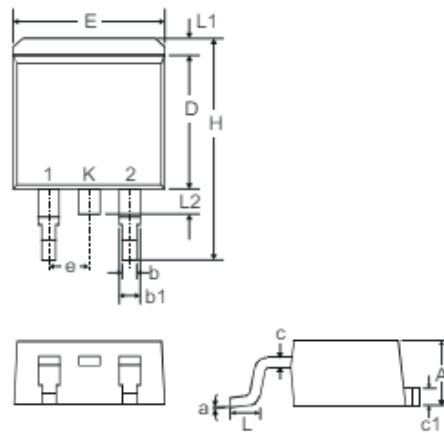


TO263-3L



TO263-3L		
Dim	Min	Max
A	4.06	4.83
A1	1.14	1.40
b	0.51	0.99
b1	1.14	1.40
c	0.38 Typ	
D	8.65	9.65
E	9.65	10.29
e	2.54 Typ	
L	14.61	15.88
L1	2.28	2.80
L2	—	2.92
L3	1.27	1.78
All Dimensions in mm		

D<sup>2</sup>PAK



D <sup>2</sup> PAK		
Dim	Min	Max
A	4.07	4.82
b	0.51	0.99
b1	1.15	1.77
c	0.356	0.58
c1	1.143	1.65
D	8.39	9.65
E	9.66	10.66
e	2.54 Typ	
H	14.61	15.87
L	1.78	2.79
L1	—	1.67
L2	—	1.77
a	0°	8°
All Dimensions in mm		