

Features

- Wide supply voltage range: 2.4V~5.5V
- CMOS technology
- Low power consumption
- Two voltage output channel in the same chip
- 16-bit dynamic range
- Low total harmonic distortion
- Data in 2's complement format, TTL
- 8-pin SOP package

Applications

- CD ROM/VCD
- MP3/PDA/Smartphone
- Digital portable audio equipment
- Satellite/cable STB
- Motherboard/MPEG card

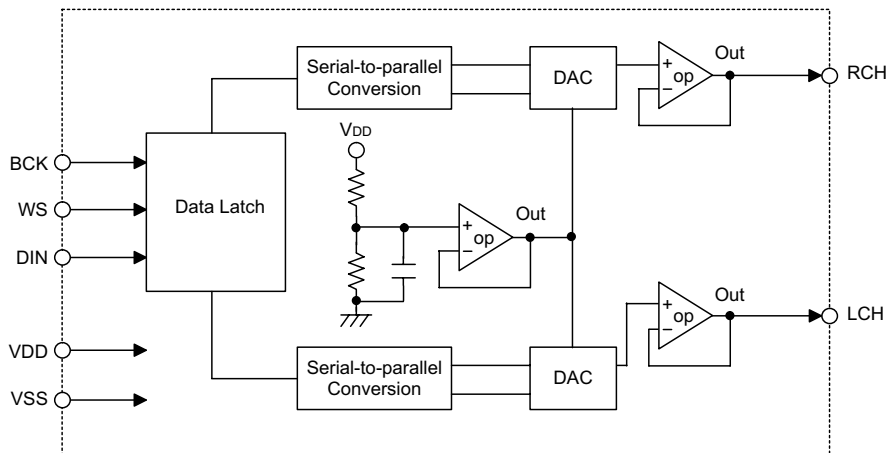
General Description

HT82V731 is a 16-bit digital-to-analog converter IC utilizing CMOS technology specially designed for stereo audio application. It converts the 16 bits serial data into an analog output voltage by high precision D/A converter.

With its excellent frequency response characteristics, the HT82V731 provides users a low cost means of im-

plementing high quality audio voltage outputs. Besides, its wide supply voltage range from 2.4V to 5.5V makes the device also suitable for use in battery-powered systems or in application areas with low current consumption requirements. It is compatible with TDA1311 and available in 8-pin SOP package.

Block Diagram



Pin Assignment

