

85SMX Crystals

ISSUE 3; 4 APRIL 2002

Delivery Options

- Please contact our sales office for current leadtimes

Holder Style

- 85SMX surface mount crystals are plastic encapsulated

General Specifications

- Load Capacitance (CL): 6pF and 12.5pF standard
- Drive Level: 1.0μW max

Packaging

- 85SMX surface mount crystals are available packaged individually or on tape and reel

Standard Frequency Tolerance

- ±20ppm

Operating Temperature Ranges

- -20 to 70°C
- -40 to 85°C

Storage Temperature Range

- -55 to 125°C

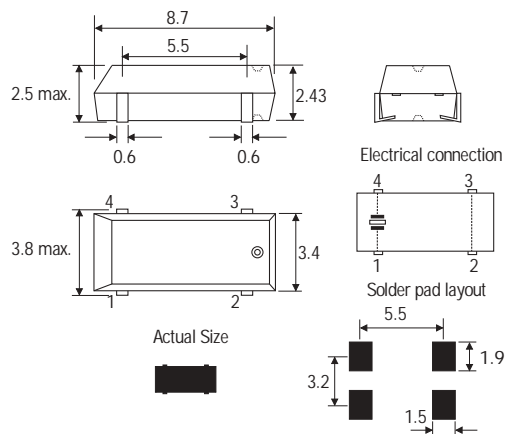
Marking

- Includes Frequency

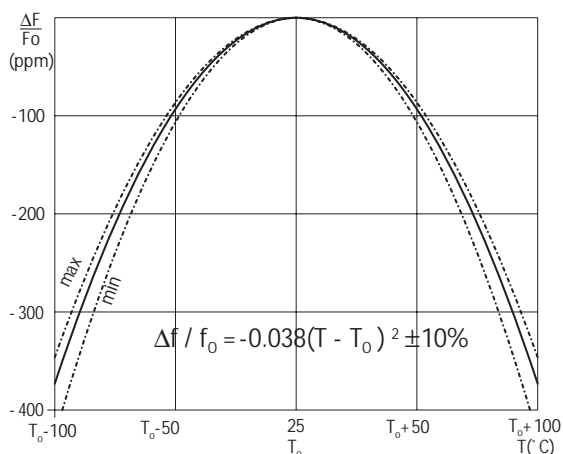
Minimum Order Information Required

- Frequency + Holder + Frequency Tolerance @ 25°C + Operating Temperature Range + Circuit Condition

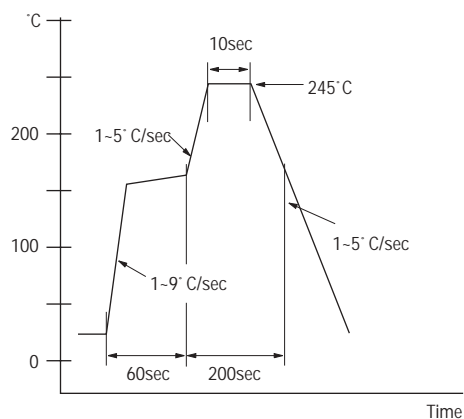
Outline in mm - 85SMX (scale 3:1)



Frequency Temperature Curve



Typical Solder Condition - Infrared Reflow



SURFACE MOUNT QUARTZ CRYSTALS